

BREAK GLASS ELECTRICAL DISCONNECT SWITCH

Description:

All metal NEMA 3R Rainproof enclosure with ½" & ¾" knockouts on the back and bottom. Attached hammer with holder and retaining chain. Glass covered operator which accepts one to six contact blocks. Labeled EMERGENCY ELECTRICAL DISCONNECT and BREAK GLASS TO RELEASE BUTTON.

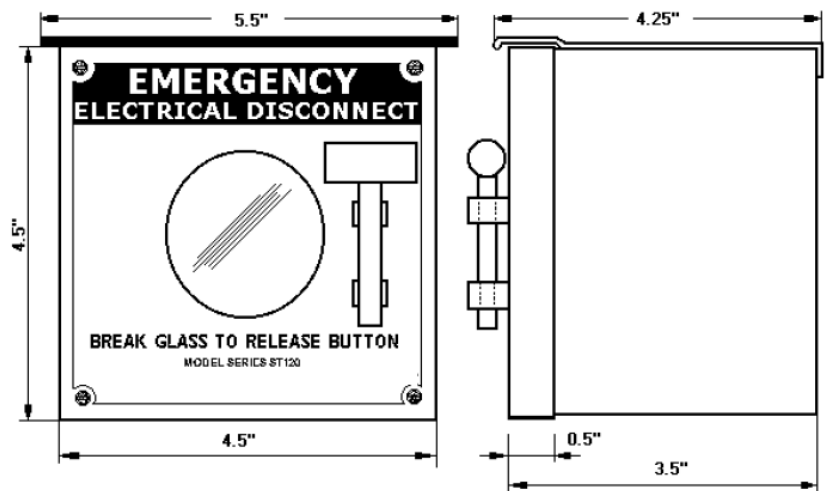
Electrical Characteristics:

Contact blocks (normally open P/N PILNOCB and/or closed P/N PILNCCB)* Sold Separately
Screw and captive clamp terminals. Min: 1 X 24 AWG Max: 2 X 16 AWG
600 Vac @ 1.2 Amp 250 Vdc at 0.27Amp 120 Vdc @ 0.55 Amp

Specification:

BREAK GLASS EMERGENCY ELECTRICAL DISCONNECT SWITCH P/N ST120SN3R uses a single device in a Break Glass To Release Button standard operating mode in which the operator automatically releases and is maintained when the glass is broken with the attached hammer. The standard Break Glass To Release Button operating mode reverses the nominal state of the installed contact blocks such that type contact blocks remain open/closed when the glass is intact and the close/open when the glass is broken and the button releases. Contact blocks are not included and must be ordered as an option.

P/N ST120SN3R



www.davidsonsales.com

839 Bill France Blvd., Daytona Beach, FL 32117

Phone (386)274-2079 Phone (800)383-2078

Fax (386)274-2279 Fax (800)475-2279